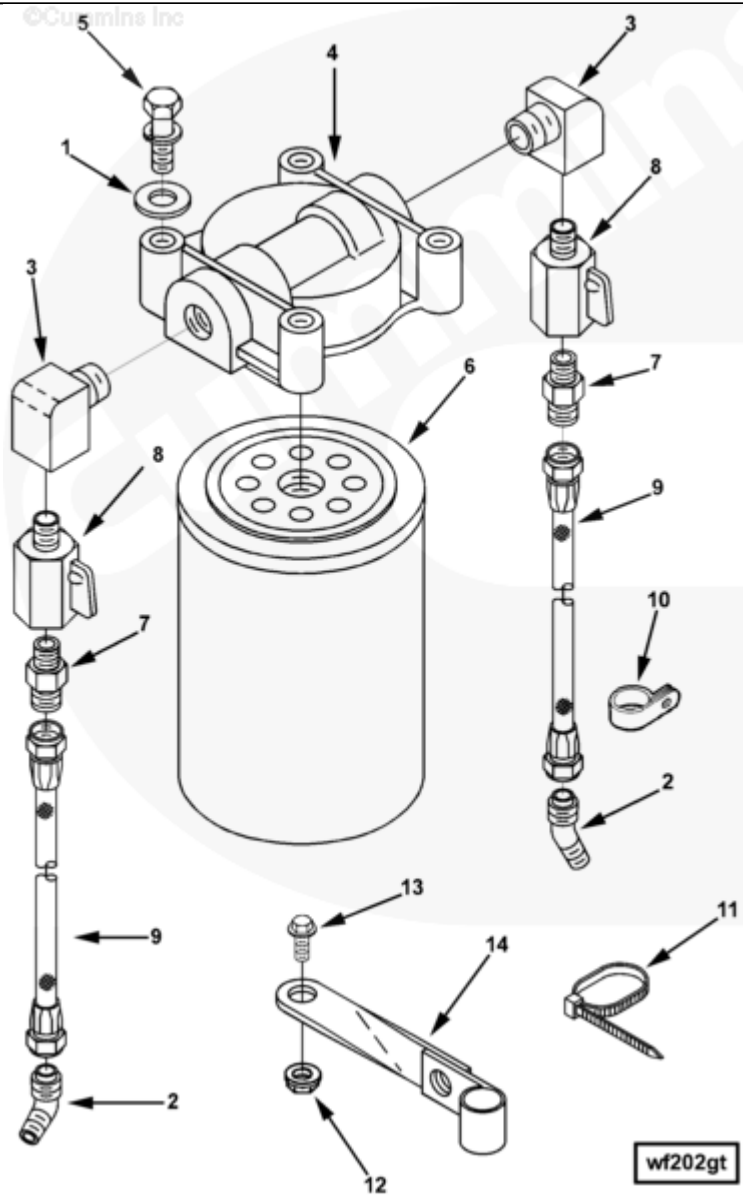




Parts Catalog - Option Detail

Electronic Parts Catalog - Option Detail				
Option	Group	Graphic	Film Card	Date
WF2083-05	08.08	wf202gt	II	11-MAR-02
Engines	ISM CM570, ISM CM570/870, ISM CM875, ISM CM876, ISM CM876 E, ISM11 CM876 M103, ISM11 CM876 SN, M11 CELECT, M11 CELECT PLUS, M11 MECHANICAL, QSM11 CM570, QSM11 CM876			



[SMALL](#) | [MEDIUM](#) | [LARGE](#)

Cart	Ref No	Part Number	Part Description	Required	Remarks
View My Cart					
		WF2083-05	Corrosion Resistor		

					Corrosion Resistor
					Supplier: Cummins
					Corrosion Resistor Location:
					Front of Engine on Oil Filter
					Bracket
					Element Type: Spin-On
					Element Quantity: Single
					Inhibitor Type: DCA4
					DCA4 Units: 4
					For Use with Cooling Systems
					When the OEM Uses a Factory
					Fill Coolant that Contains a
					Precharge Dose of SCA. Final
					Concentration of (1.5) to
					(3.0) Units per Gallon for
					Total System Capacity is
					Required
					Crn Rstr Water Supply: Water
					Header Plate
					Crn Rstr Water Return: Water
					Header Plate
					Water Return Route: Routed
					High above Gear Cover
					Decal Provided: None
					Crn Rstr Bracket Supplier:
					Cummins
					Corrosion Protection
					Included: Water Header Plate

<input type="checkbox"/>	1	S 602	Plain Washer	4	3/8 in.
<input type="checkbox"/>	2	S 1047 A	Male Adapter Elbow	2	
<input type="checkbox"/>	3	70470	Plain Street Pipe Elbow	2	
<input type="checkbox"/>	4	204163	Corrosion Resistor Head	1	
<input type="checkbox"/>	5	3012471	Captive Washer Cap Screw	4	3/8 - 16 x 1 1/8 in.
<input type="checkbox"/>	6	3100308	Corrosion Resistor	1	Buy from Cummins Filtration
<input type="checkbox"/>	7	3630619	Male Connector	2	
<input type="checkbox"/>	8	4003314	Shut-Off Valve	2	
<input type="checkbox"/>	9	4078326	Flexible Hose	2	
<input type="checkbox"/>	10	108722	Clip	2	
<input type="checkbox"/>	11	3062329	Wire Tie Clamp	2	
<input type="checkbox"/>	12	3900589	Hexagon Flange Nut	2	M8 X 1.25
<input type="checkbox"/>	13	3900629	Hexagon Flange Head Cap Screw	1	M8 X 1.25 X 16
<input type="checkbox"/>	14	3905804	Tube Brace	1	